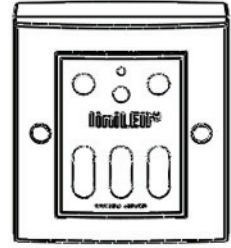


RGB Controller Demo

liniLED®
by triolight

Installatiehandleiding (NL/B)
Installation guide (UK/INT)
Installationsanleitung (D/A/CH)
Istruzioni tecniche (IT)
Le manuel d'installation (FR)

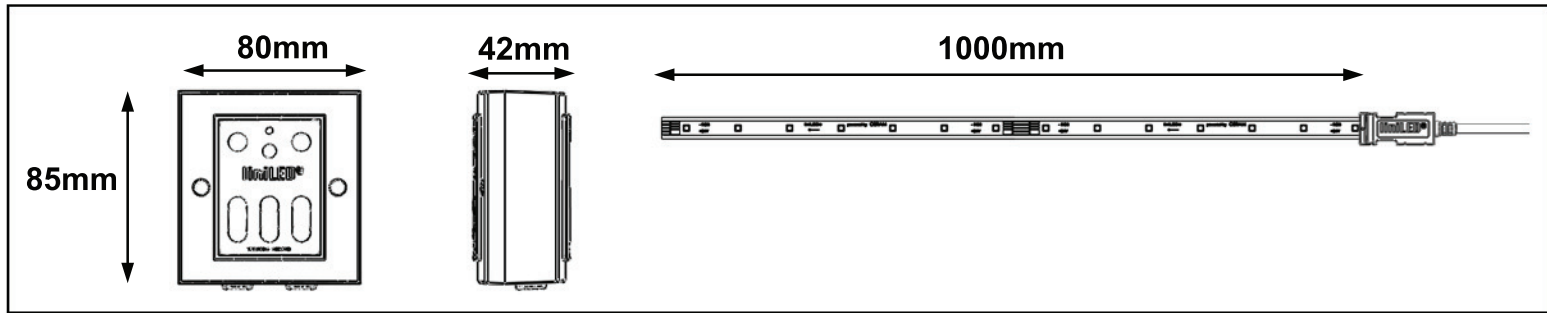


Specificaties: - Specifications: - Technische Daten: - Specifiche tecniche: - Specifications:

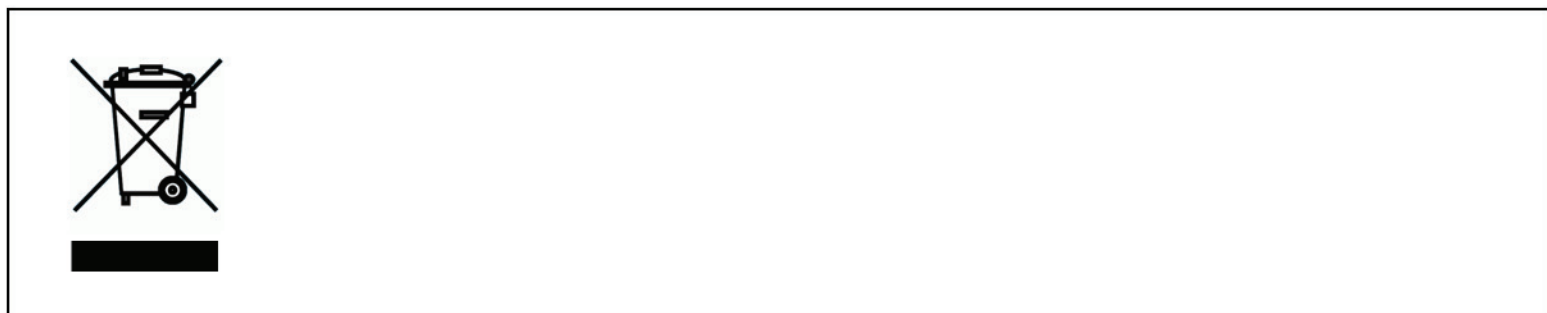
Product: Triolight RGB Controller Demo
Art. nr. : 011753
Input : 100-240V AC, 50/60Hz, 0,31A
Output: 24V DC. 0,5A
Power: max. 15W
IP rating: IP 40



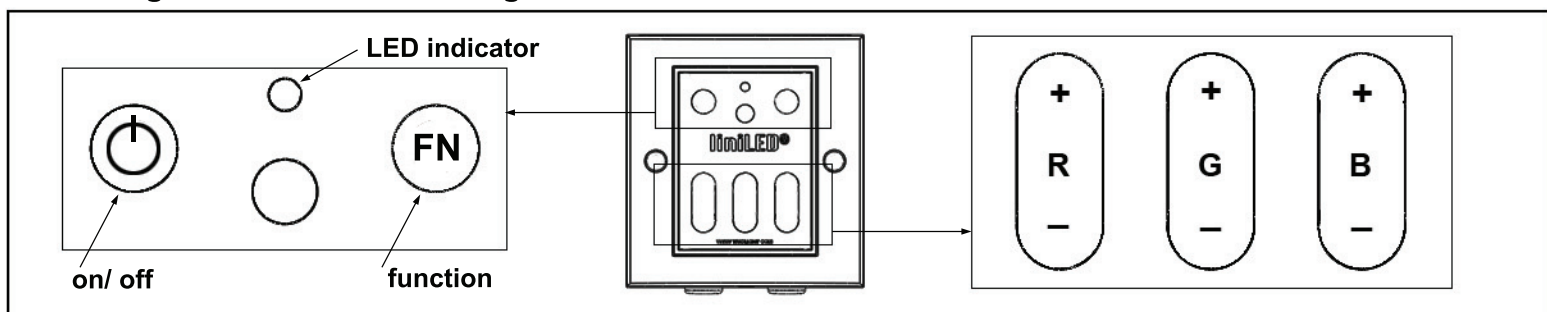
Afmetingen: - Dimensions: - Abmessungen: - Dimensioni: - Dimension:



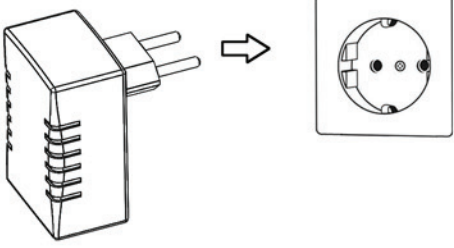
Instructies: - Instructions: - Installation: - Istruzioni: - Instructions:




Bediening: - Control: - Bedienung: - Controllo: - Contrôle:



1.



100-240V
0,31A
50-60Hz



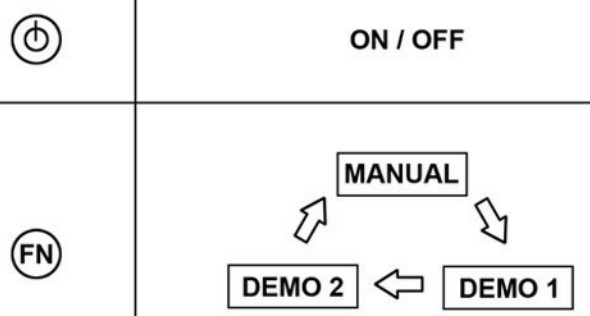
2.

ON / OFF

MANUAL

DEMO 1

DEMO 2

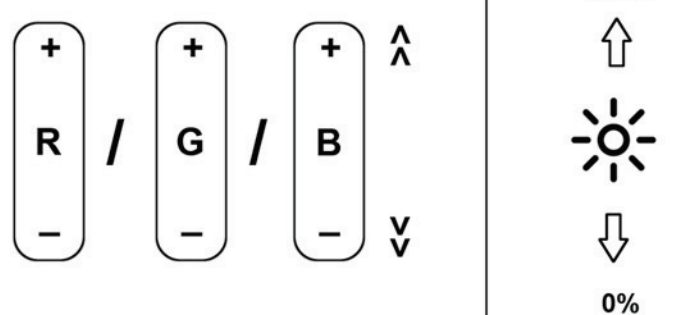


3. MANUAL

R / G / B

100%

0%

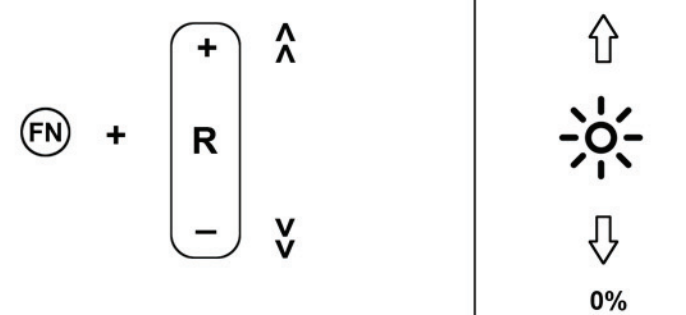


3b. MANUAL DEMO 1 DEMO 2

FN + R

100%

0%



4. DEMO 1

red
yellow
green
cyan
blue
purple
red

t1

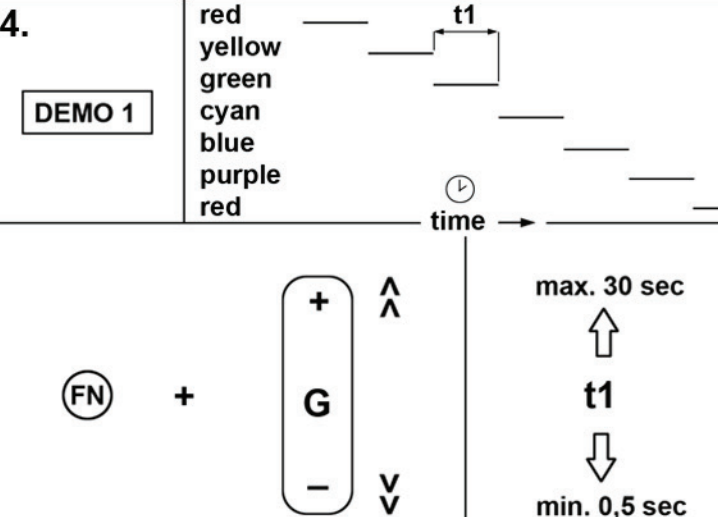
time

max. 30 sec

t1

min. 0,5 sec

FN + G



4b. DEMO 2

red
yellow
green
cyan
blue
purple
red

t1 t2

time

max. 30 sec

t1

min. 0,5 sec

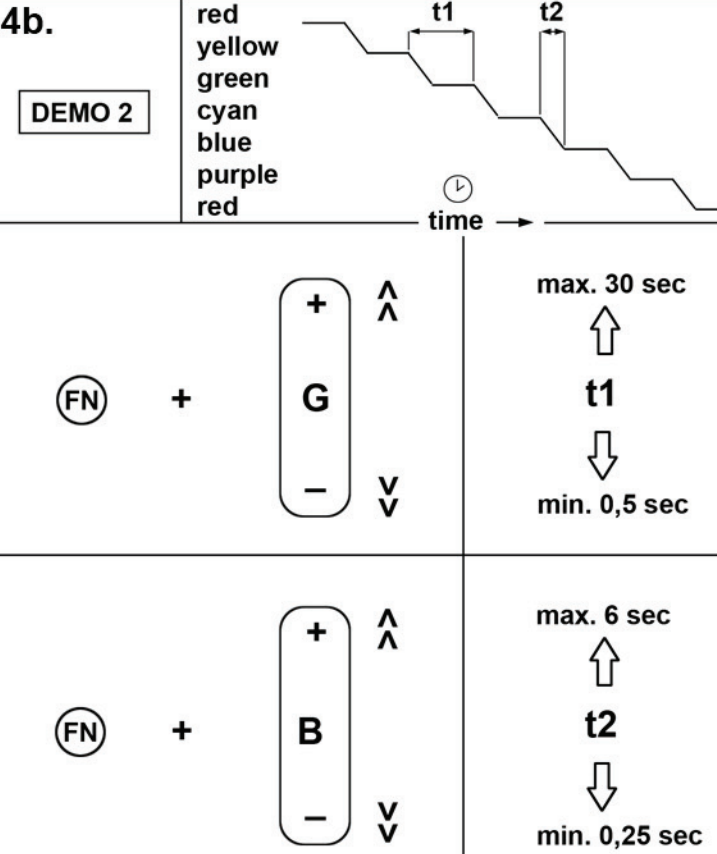
FN + G

max. 6 sec


t2

min. 0,25 sec


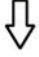

FN + B



5.




no light




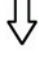

100%

(FN) + [+
R] ⌚ 5 sec

5b.



no light



100%

1. ⏻

2. (FN) + [+
R] ⌚ 5 sec