

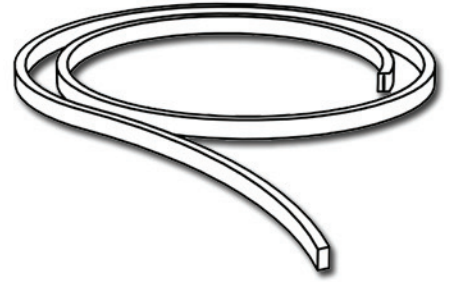
# liniLED Top RGB

Installatiehandleiding  
Installation guide

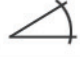


(NL/B)  
(UK/INT)

# liniLED®

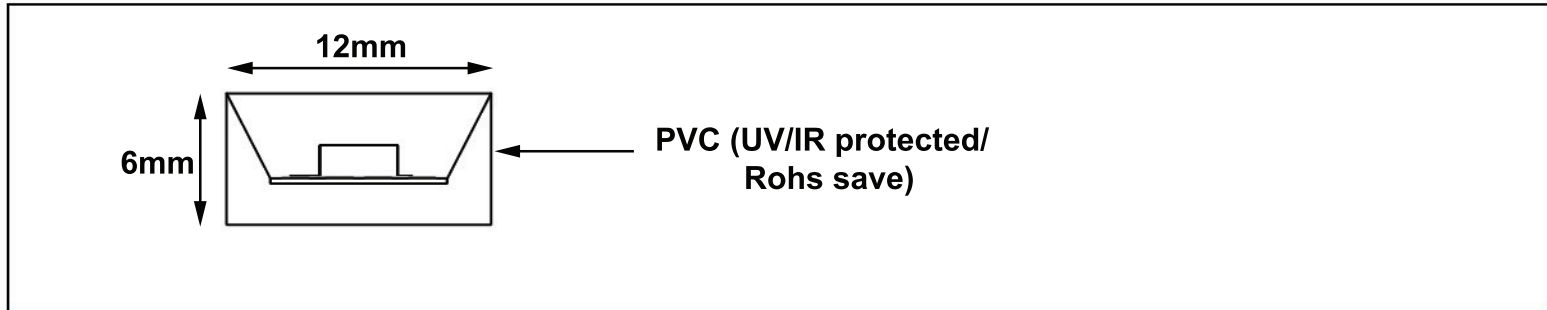
by triolight



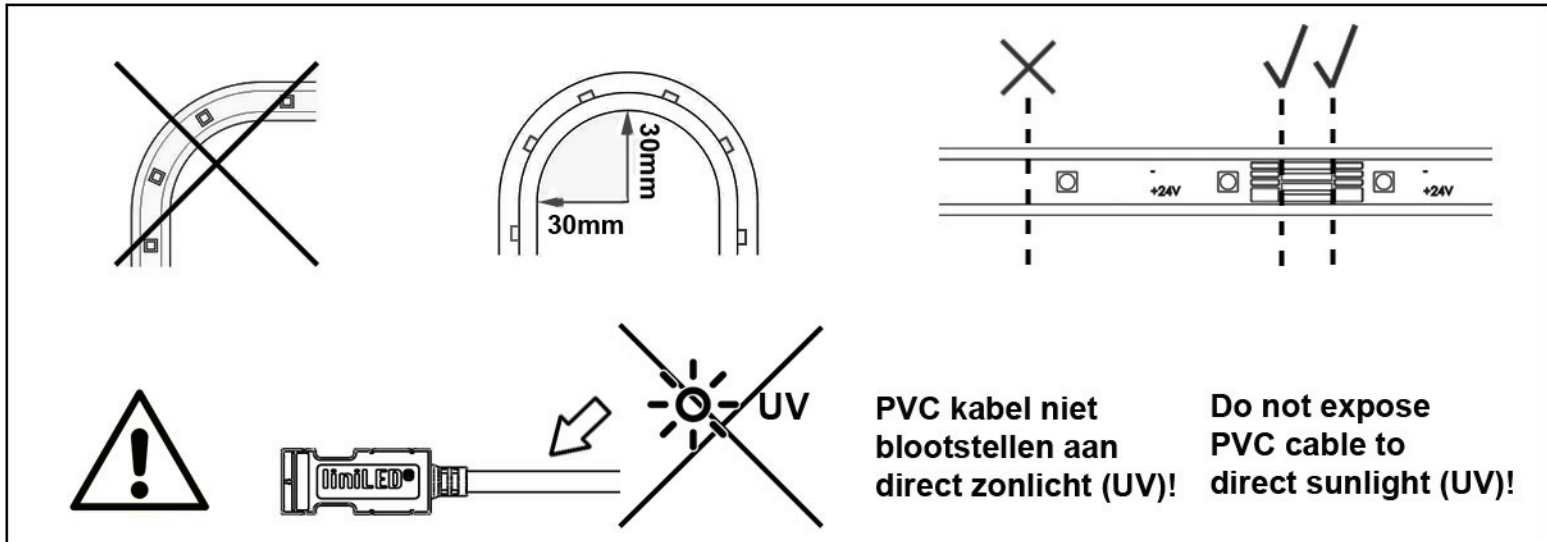
## Specificaties/ Specifications:

LED	LED/m	VDC	W/m		°C	max. 	
SMD	35	24	max 6,0	120°	-20°..55°	10m	20.000

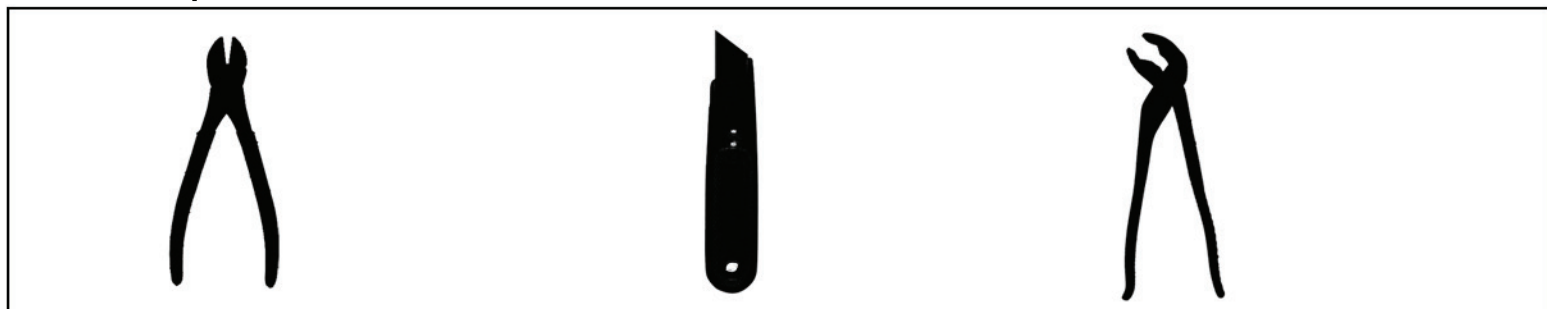
## Afmetingen/ Dimensions:

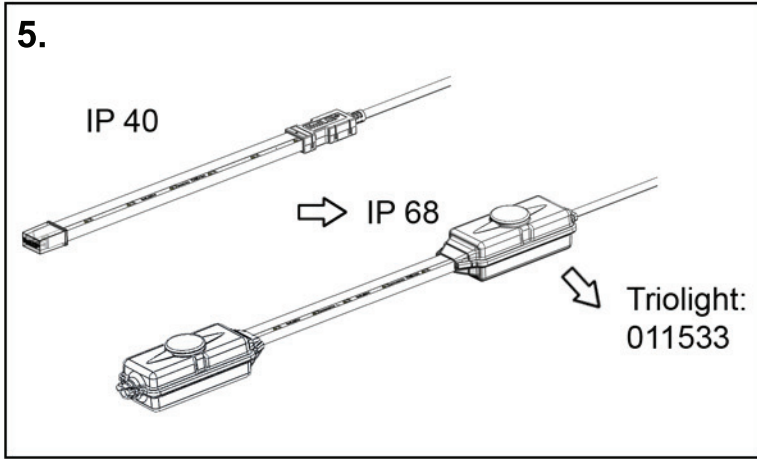
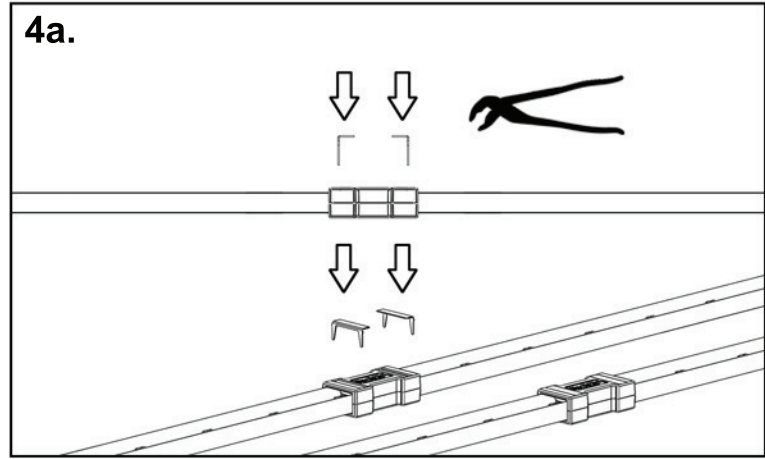
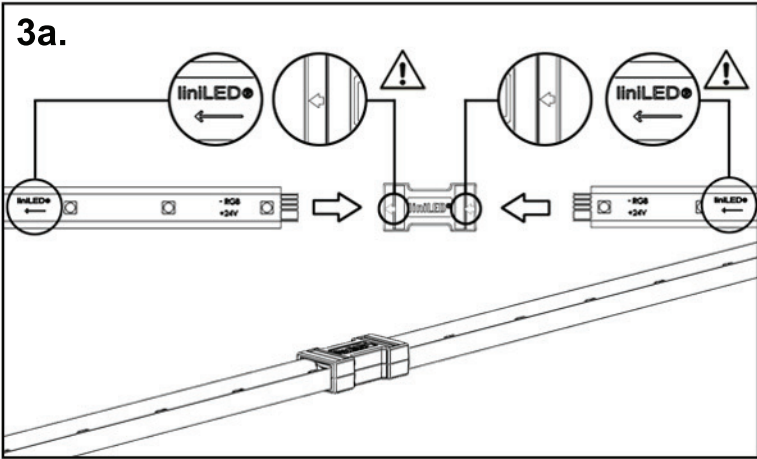
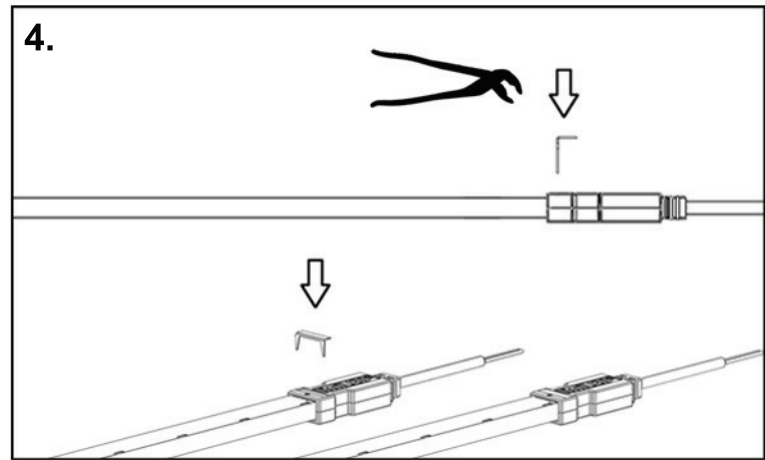
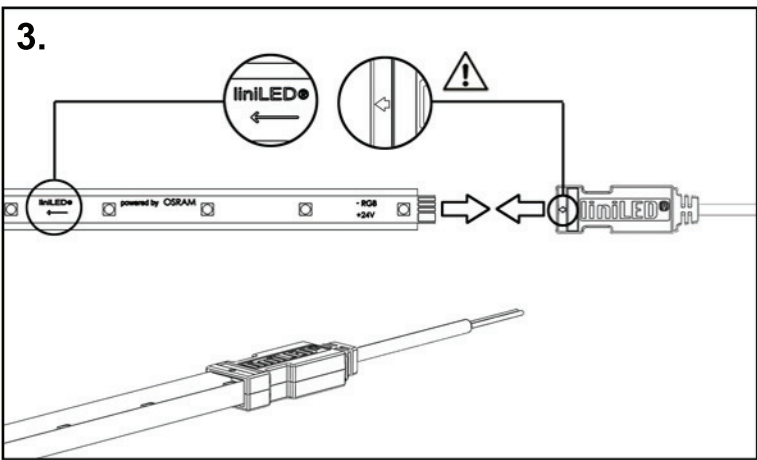
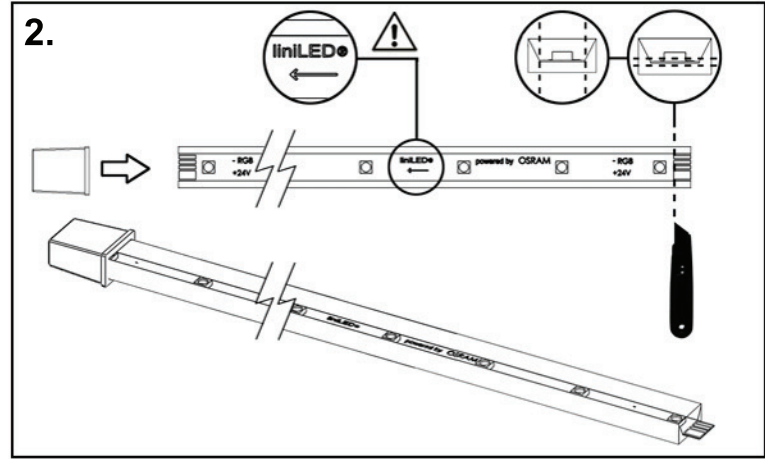
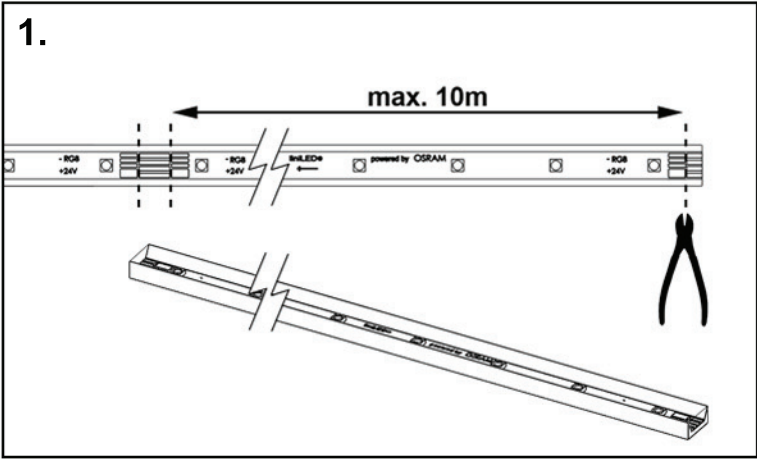


## Instructies/ Instructions:

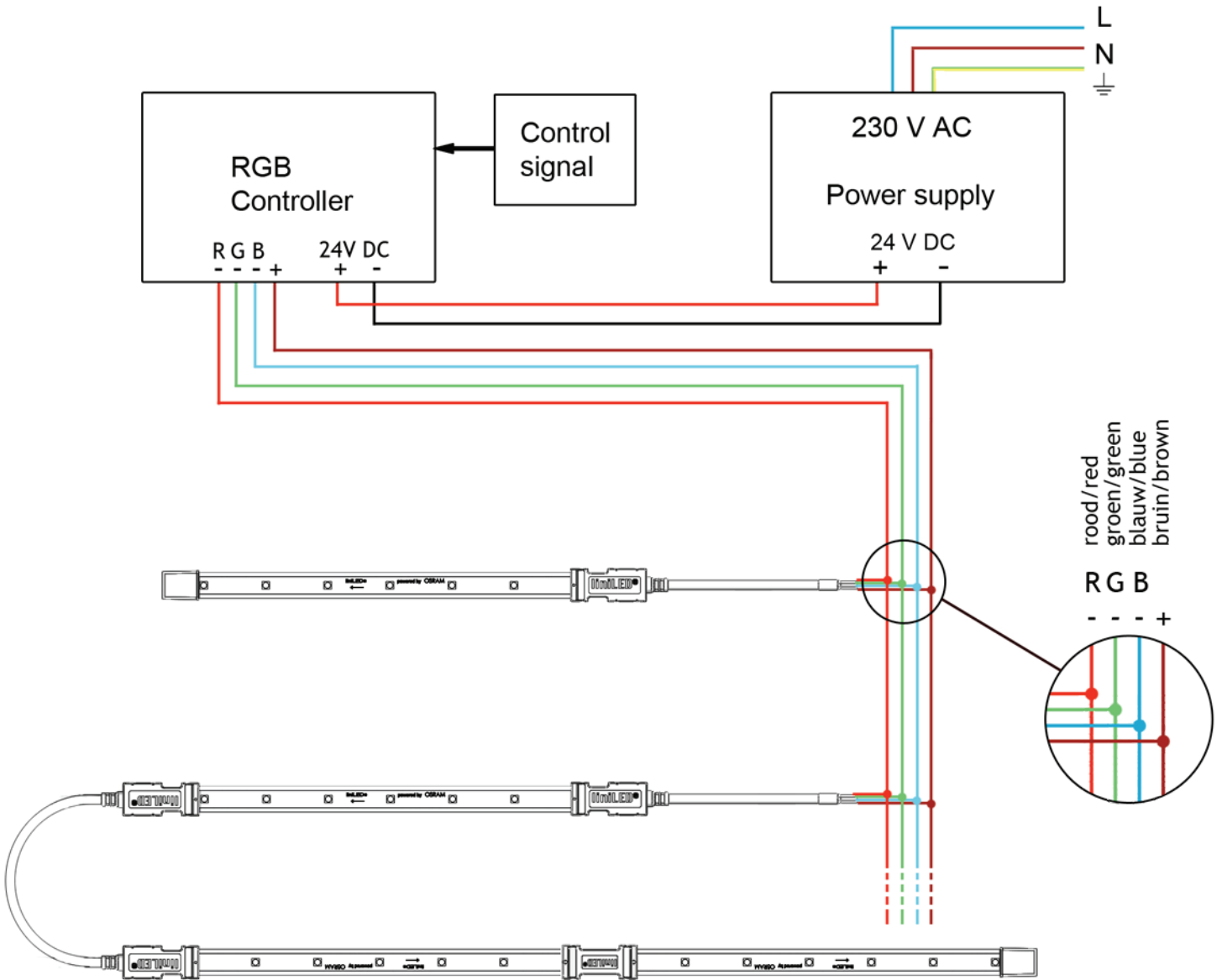


## Gereedschap/ Tools:

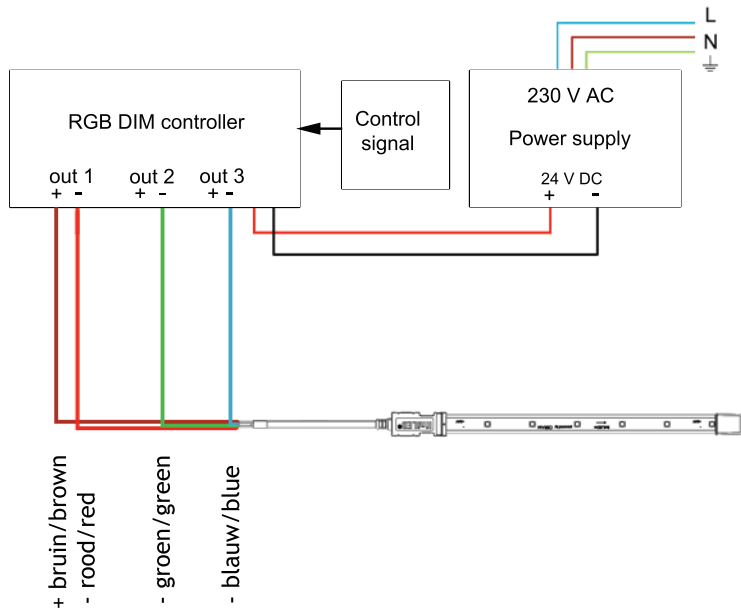




6.

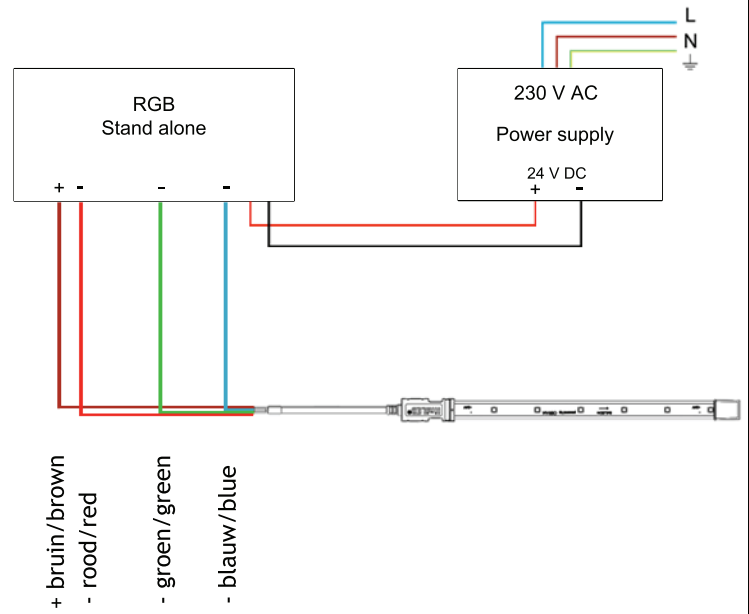


6a



Zie handleiding/ see manual:  
 011150 Dim/Controller basic  
 011147 Dim/Controller  
 011149 Dim/Controller  
 011853 Dim/Controller unit (IP66)  
 011854 Dim/Controller unit (IP66)  
 011855 Dim/Controller unit (IP66)

6b



Zie handleiding/ see manual:  
 011810 RGB Controller Stand Alone